

4

3

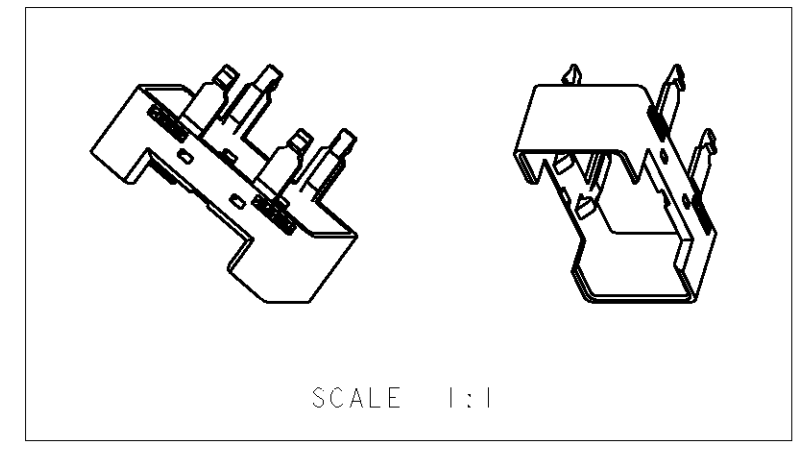
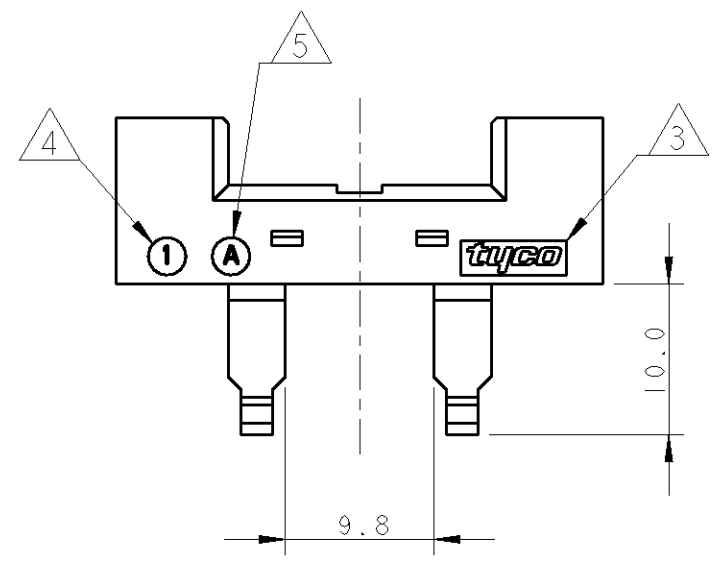
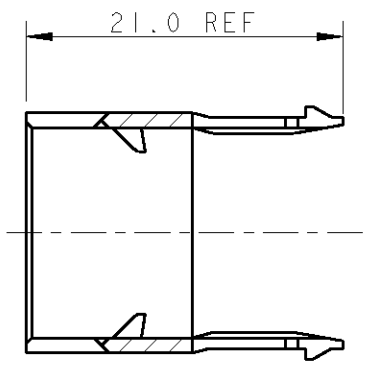
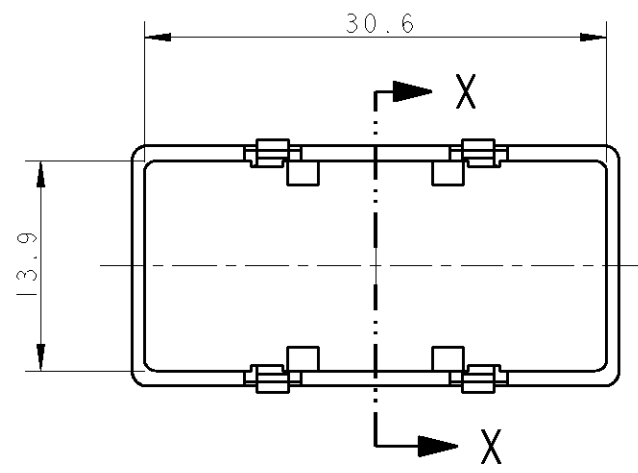
2

1

THIS DRAWING IS UNPUBLISHED. RELEASED FOR PUBLICATION 2006  
 © COPYRIGHT 2006 BY TYCO ELECTRONICS CORPORATION. ALL RIGHTS RESERVED.

LOC	DIST	REVISIONS					
		P	LTR	DESCRIPTION	DATE	DWN	APVD
1	-		0	FIRST ISSUE	11APR2006	UA	GT

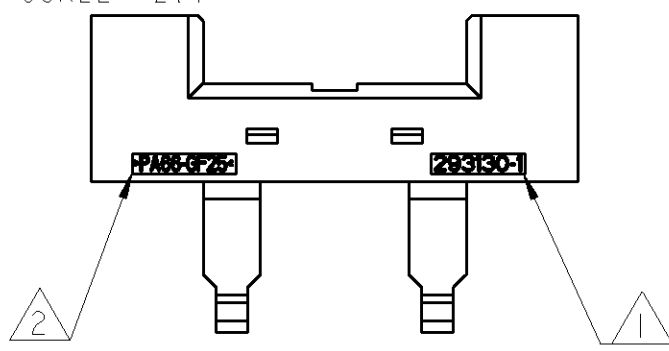
SECTION X - X



NOTES:

- ① TYCO P/N
  - ② RAW MAT'L CODE
  - ③ TYCO TRADEMARK
  - ④ MOULD CAVITY IDENTIFICATION
  - ⑤ PART REVISION
- 6) TO BE USED FOR INSTALLATIONS ACCORDING TO VDE 0606-200
- 7) USED ON TYCO NECTOR\* CONNECTORS PANEL MOUNT VERSION (SEE SHEET 2 OF 2)
- 8) PACKAGED ACCORDING TO TYCO SPEC. 107-20252

DETAILED VIEW FOR INSCRIPTIONS SCALE 2:1

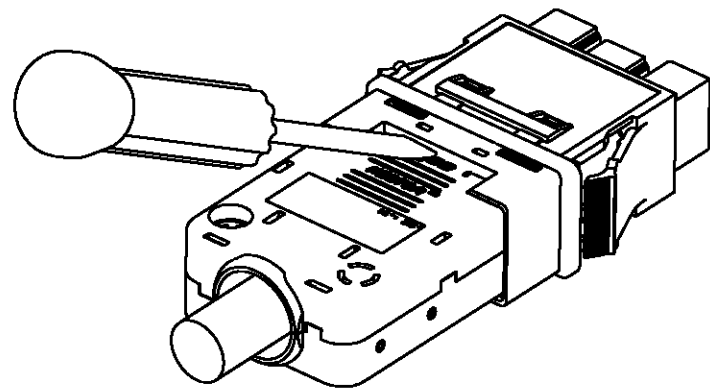
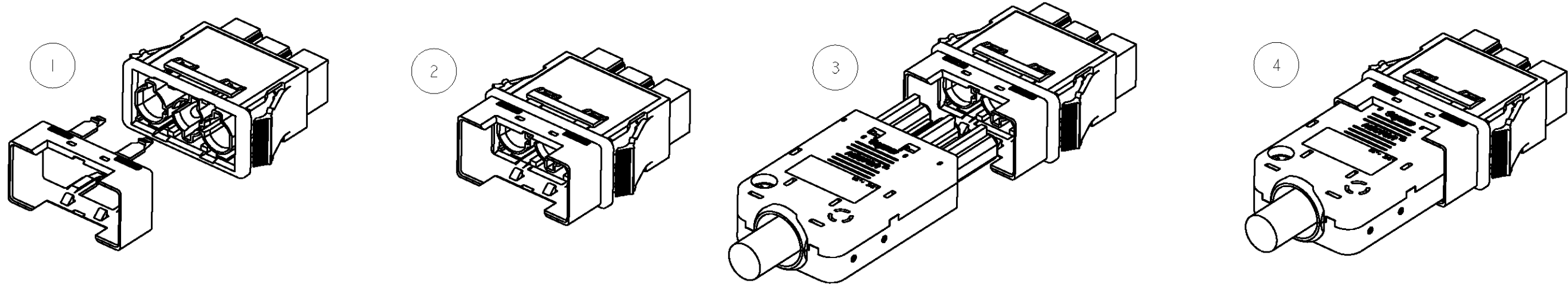


293130-2	WHITE	A
293130-1	BLACK	A
TYCO P/N	COLOUR	PART REV.

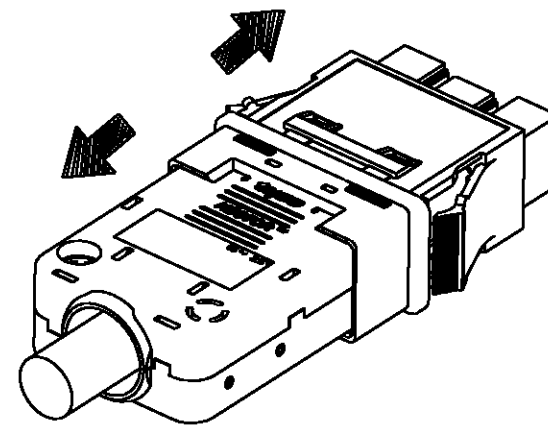
<small>THIS DRAWING IS A CONTROLLED DOCUMENT FOR TYCO ELECTRONICS CORPORATION IT IS SUBJECT TO CHANGE AND THE CONTROLLING ENGINEERING ORGANIZATION SHOULD BE CONTACTED FOR THE LATEST REVISION.</small>		<b>tyco</b> <b>Electronics</b>		AMP Italia S.p.A. C.so F.lli Cervi 15 Collegno (TO)	
DIMENSIONS: mm		TOLERANCES UNLESS OTHERWISE SPECIFIED: 0 PLC ±- 1 PLC ±0.3 2 PLC ±- 3 PLC ±- 4 PLC ±- ANGLES ±- FINISH -		NAME LOCKING FOR TYCO NECTOR* PANEL MOUNT FRAME VERSION	
MATERIAL PA66-GF25 UL94-V0		DWN U.A.I.M.E 11APR2006 CHK U.A.I.M.E 11APR2006 APVD G.TURCO 11APR2006 PRODUCT SPEC - APPLICATION SPEC - WEIGHT -		SIZE A3 CAGE CODE 00779 DRAWING NO C-293130 RESTRICTED TO -	
CUSTOMER DRAWING				SCALE 2:1 SHEET 1 OF 2 REV 0	

LOC	DIST	REVISIONS			
P	LTR	DESCRIPTION	DATE	DWN	APVD

### LOCKING DEVICE FOR TYCO NECTOR\*, PANEL MOUNT VERSION - ASSEMBLY PROCEDURE



### LOCKING DEVICE RETENTION FORCE



80 N MIN. FOR 1 MINUTE  
ACCORDING TO VDE 0606-200 NORM

ACCORDING TO VDE 0606-200 NORM, LOCKING DEVICE MUST NOT BE EASILY REMOVABLE BY HAND; A COMMON TOOL WOULD BE NECESSARY (e.g.: SCREWDRIVER)

<small>THIS DRAWING IS A CONTROLLED DOCUMENT FOR TYCO ELECTRONICS CORPORATION IT IS SUBJECT TO CHANGE AND THE CONTROLLING ENGINEERING ORGANIZATION SHOULD BE CONTACTED FOR THE LATEST REVISION.</small>		DWN U.AIME 11APR2006	AMP Italia S.p.A. C.so F.lli Cervi 15 Collegno (TO)		
DIMENSIONS: mm 		CHK U.AIME 11APR2006	NAME LOCKING FOR TYCO NECTOR* PANEL MOUNT FRAME VERSION		
TOLERANCES UNLESS OTHERWISE SPECIFIED: 0 PLC ±- 1 PLC ±0.3 2 PLC ±- 3 PLC ±- 4 PLC ±- ANGLES ±1		APVD G.TURCO 11APR2006			
MATERIAL PA66-GF25 UL94-V0		PRODUCT SPEC -	SIZE A3	CAGE CODE 00779	DRAWING NO C-293130
FINISH -		APPLICATION SPEC -	RESTRICTED TO -	SCALE 2:1	SHEET 2 OF 2
		WEIGHT -	REV 0		
		CUSTOMER DRAWING			